

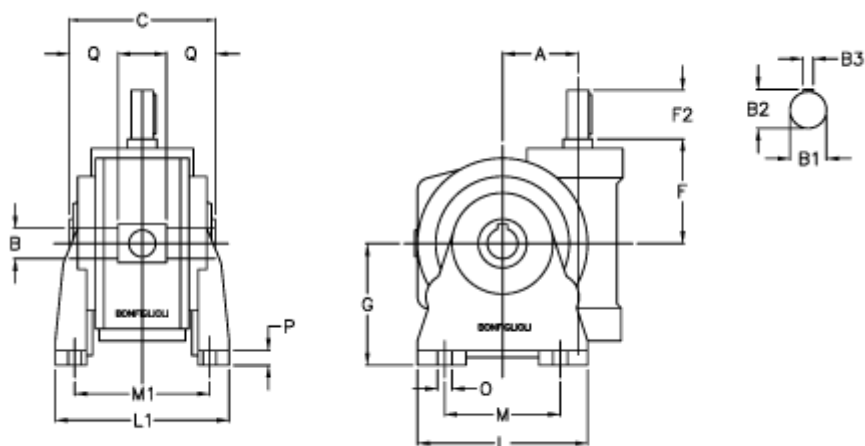
Data Sheet



Article number: 3901030015300

Description: Worm gear with solid input shaft
VF 30V-15-HS

Measures



a	= 30.0	F2 = 20	Q = 20.5
B	= 14	g = 55	
B1	= 9	L = 80	
B2	= 10.2	L1 = 80	
B3	= 3	m = 50	
C	= 55	M1 = 66.0	
Description	= VF30 V-xx-HS	O = 6.5	
F	= 50.0	P = 8	